

Frame 70

PENDANT



SPECIFICATION SHEET

Frame 70



Model 1545

Type
P Pendant

Size
24 24.0" [610mm]
36 36.0" [914mm]
48 48.0" [1219mm]
Custom

Wattage ^{1,2}

24"
L 20W (2665lm)
M 40W (4955lm)
36"
L 32W (4265lm)
M 64W (7925lm)
48"
L 44W (5865lm)
M 88W (10895lm)

Color Temp ³

30 3000
35 3500
40 4000

Voltage

U 120/277 Volt
1 120 Volt (DFPN only – see section Control)

Driver

RD Remote
ID Integral (in canopy)

Control - RD

S Non-dim
D010 0-10V 10%
DFPN Lutron Forward Phase 1% 120 Volt
L3DAE Lutron Hi-lume 1% EcoSystem
L3DOE Hi-lume Premier 0.1% EcoSystem
X If integral driver is selected

Control - ID (in canopy - if selected)

S Non-dim
D010 0-10V 10%
X If remote driver is selected

Diffuser Bottom

SW Satin opal acrylic

Finish ⁴

16 Clear anodized aluminum
21 Painted white - RAL 9010 matte
26 Painted black - RAL 9005 matte
22 Painted custom color

Mounting

SCRD Straight cables - remote driver
SCID Straight cables - driver in canopy
CERD Center canopy - remote driver
CEID Center canopy - driver in canopy

Power Cable ⁵

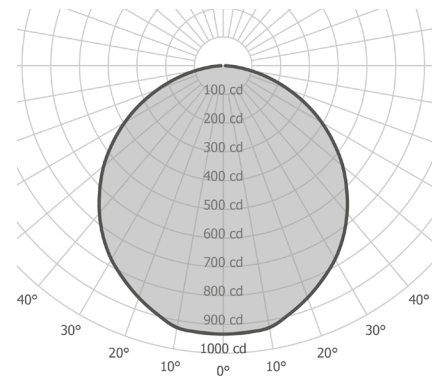
CC Clear insulated cable (standard)
WC White cable
BC Black cable

Notes

- Nominal lumens value specified
- Linear LED board, constant voltage 24 Volt
- 90+ CRI standard
- Canopy finish matches housing
For Clear anodized aluminum finish, canopy finish will be painted anodized aluminum
- 96" standard cable length

Example fixture number:

1545 - P - 36 - L - 30 - U - RD - X - S - SW - 16
- SCRCD - CC



Frame 70

PENDANT

Frame 70 is ideal for lighting office areas and conference spaces when used in multiple configurations. Aluminum construction allows the flexibility to be altered as your imagination allows.



Size	
24	24" [610mm]
36	36" [915mm]
48	48" [1,219mm]
Custom	



* 70mm x 70mm fixture body profile
* Straight cables or center canopy mounting options available

Frame 70



PENDANT

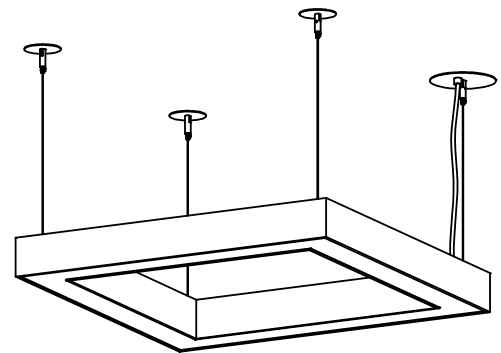
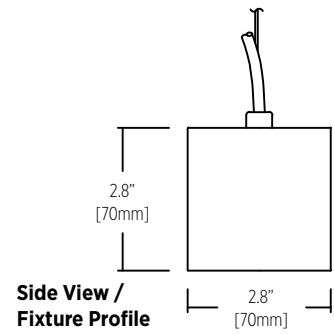
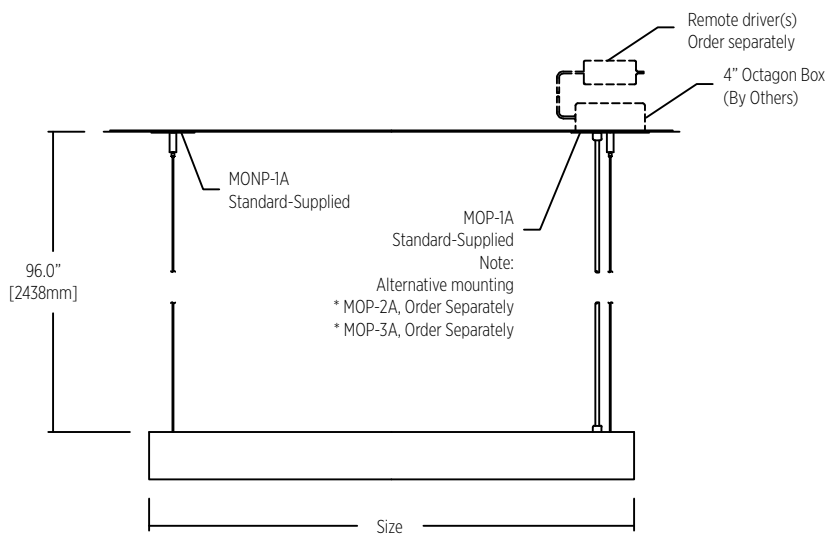
SPECIFICATION SHEET

Frame 70



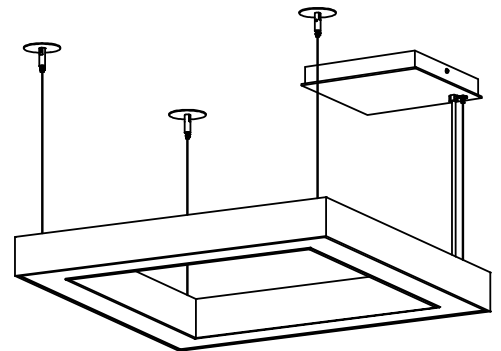
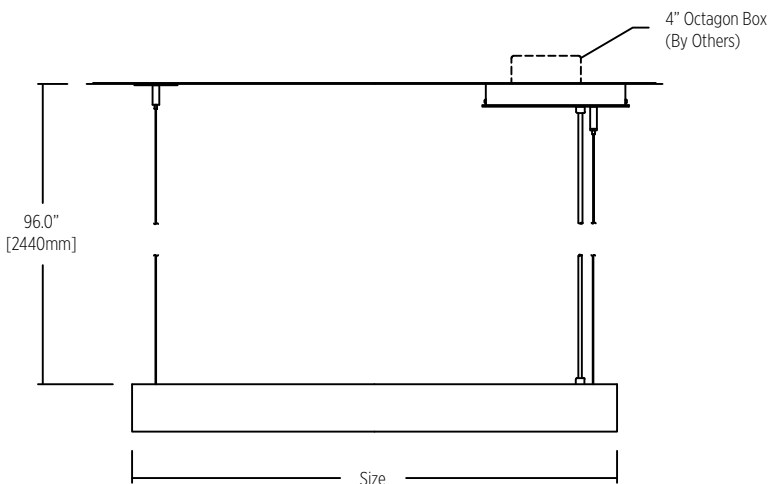
INSTALLATION TYPE

Straight cables with remote driver



Note:
See page 3 & 4 for mounting options

Straight cables with surface mounted canopy with integral driver



Note:
Surface mounted canopy with
integral driver - Order separately

Frame 70

PENDANT

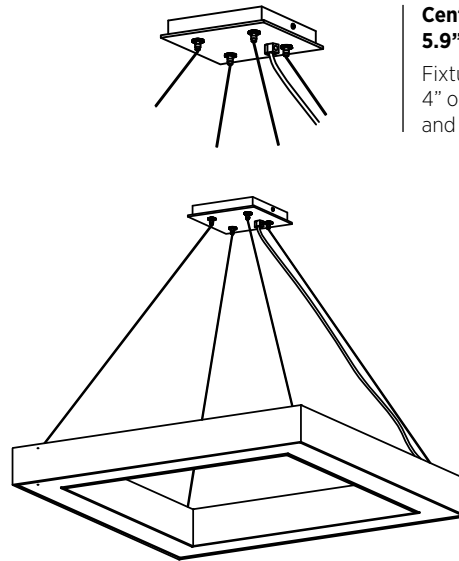
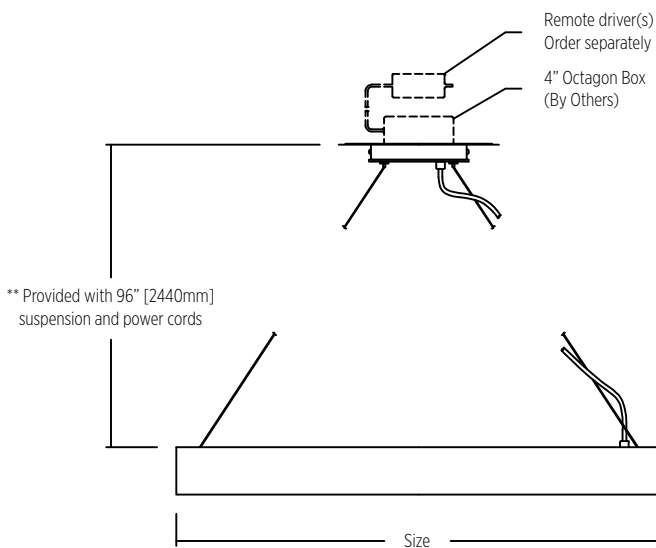


SPECIFICATION SHEET

Frame 70

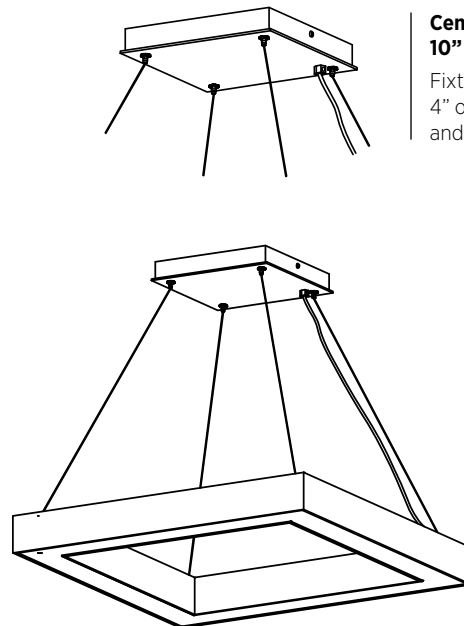
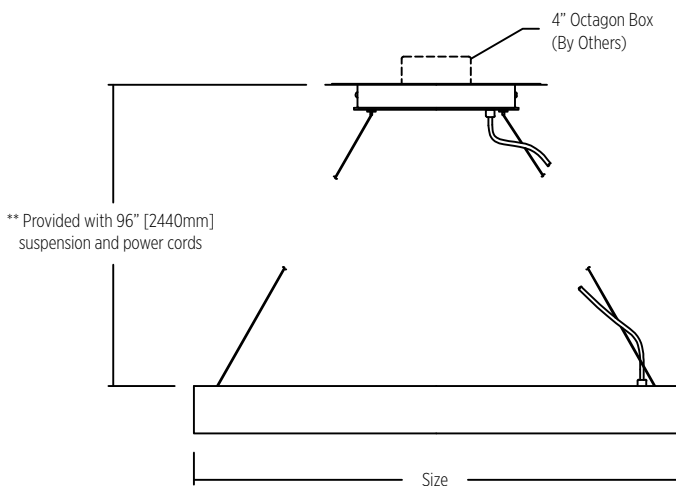


Center canopy with remote driver



**Center canopy
5.9" [150mm] Square**
Fixture mounts directly to
4" octagon box - supplied
and installed by others

Center canopy with integral driver



**Center canopy
10" [254mm] Square**
Fixture mounts directly to
4" octagon box - supplied
and installed by others

Minimum mounting height per fixture size for center canopy options:

Fixture Size (Diameter)	Minimum Mounting Height
24" [610mm]	15" [380mm]
36" [914mm]	20" [510mm]
48" [1,219mm]	30" [760mm]

Frame 70



PENDANT

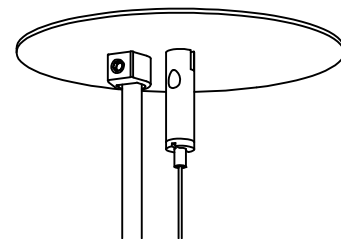
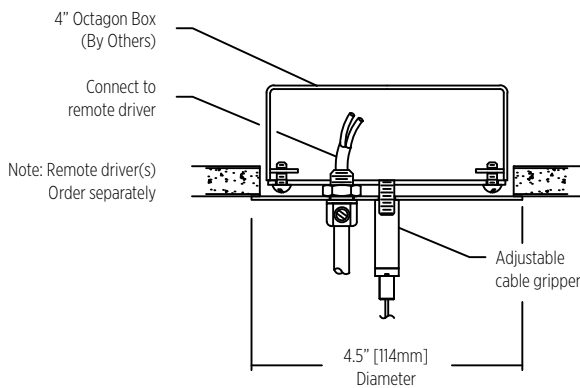
SPECIFICATION SHEET

Frame 70



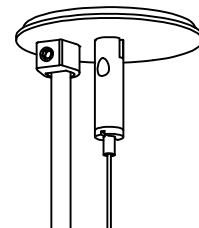
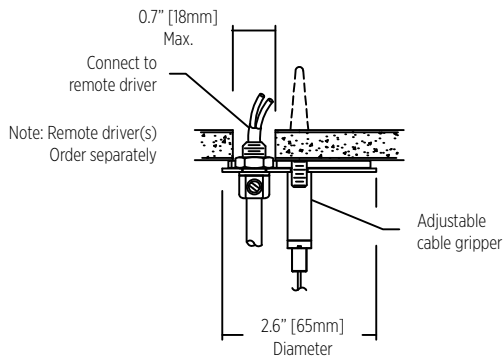
STRAIGHT CABLES MOUNTING OPTION - POWER

MOP-1A Standard - Supplied



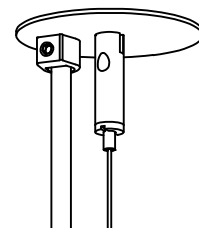
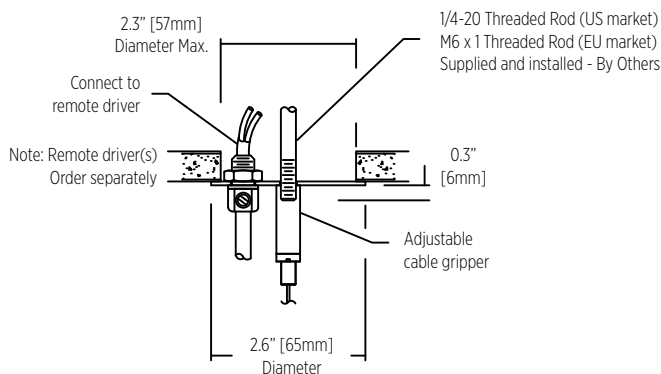
Mounting Option Power 1A
Octagon Box (By Others)
Installed in drywall, wood or concrete ceiling

MOP-2A-1 Order Separately



Mounting Option Power 2A-1
Suspension assembly
Installed in drywall or wood ceiling

MOP-2A-2 Order Separately



Mounting Option Power 2A-2
Suspension assembly
Installed in drywall or wood ceiling

Frame 70



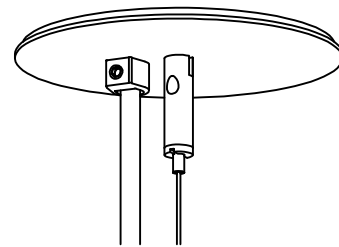
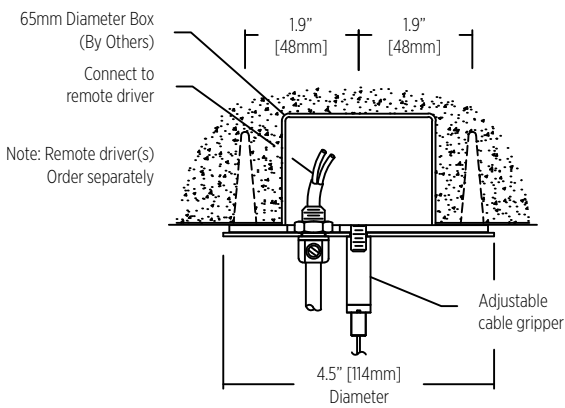
PENDANT

SPECIFICATION SHEET

Frame 70



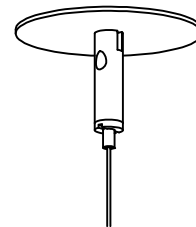
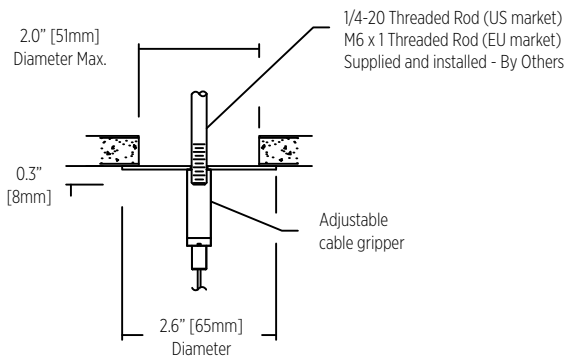
MOP-3A Order Separately



Mounting Option Power 3A
65mm Diameter Box (By Others)
Installed in drywall, wood or concrete ceiling

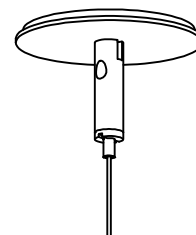
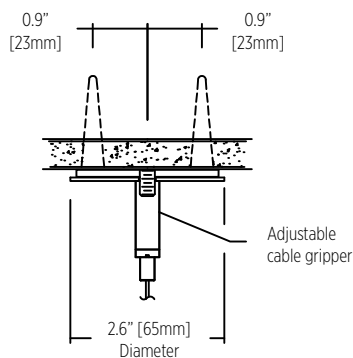
STRAIGHT CABLES MOUNTING OPTION - NON POWER

MONP-1A-1 Standard - Supplied



Mounting Option - Non Power
Threaded Rod installed
to structural ceiling (By Others)

MONP-1A-2 Alternative - Supplied



Mounting Option - Non Power
Suspension Assembly
Installed in drywall, wood or concrete ceiling